

TriMark[®]

Access to Excellence

Standard Off the Shelf Door Access Solutions for
light duty Ag, Construction, Power Sports and
Recreational Vehicles



Catalog Product Code

3	010-7100	Window Handle - Single Position
4	010-7120	Window Handle - Double Position
5	010-7200	Turnbuckle Catch
6	020-7100	Flush Pull Handle
7	020-7200	Grab Handle
8	030-7100	Recessed Paddle Handle
9	030-7300	Compact Recessed Paddle Handle
10	040-7100	Push Button Handle - Economy
11	040-7200	Push Button Handle - Flat Style
12	040-7300	Push Button Handle - Water Resistant
13	050-7100	10mm Single Rotor Latch
14	050-7120	10mm Single Rotor Latch with Handrail
15	050-7130	10mm Single Rotor Latch with Squeeze Release
16	050-7140	10mm Single Rotor Latch with Cable Release
17	050-7180	10mm Single Rotor Latch with Finger Release
18	050-7200	10mm Single Rotor Latch with Dual Trip Levers
19	060-7100	Plunger Latch - Low Profile L - Handle
20	060-7200	Heavy Duty Plunger Latch - Large L - Handle
21	070-7100	10mm Striker Pin
22	080-7100	Over-Center Latch
23	090-7100	T - Style Over - Center Window Stay
24	090-7110	Compact T - Style Window Hold Open
25	090-7200	L - Style Over - Center Window Hold Open
26	100-7100	Caraloc Entrance Door Set
27	130-7200	Door Hold-Open
28	200-7100	Hinge Assembly - Aluminum
29	VICO	Territory Sales Representatives



010-7100 Window Handle - Single Position

This easy to operate window handle is designed to fit comfortably in the hand for top and side hinged windows for on and off-highway vehicles. Featuring 90 degree rotation with steel mounting plate and glass filled nylon handle.

FEATURES/BENEFITS:

- Designed to be used on hinged rear windows
- Ergonomic function and style
- Two configurations:
 - ◊ 31mm (1.22") height - 60mm (2.36") mounting
 - ◊ 78mm (3.07") height - 100mm (3.94") mounting
- 90° - clockwise rotation

AVAILABLE:

- Other length options are available to suit window off-sets

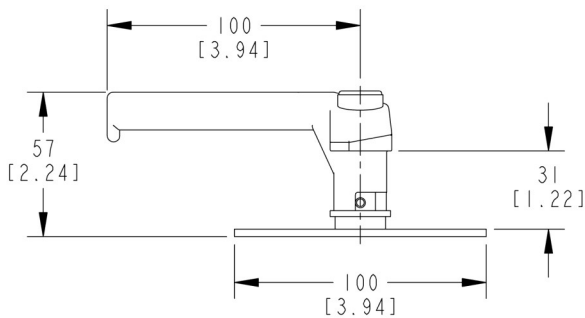
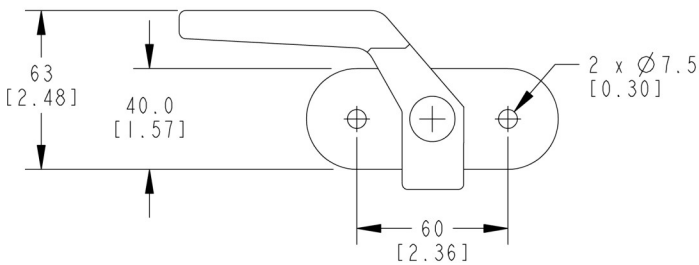
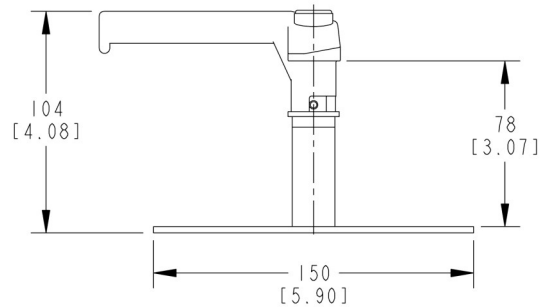
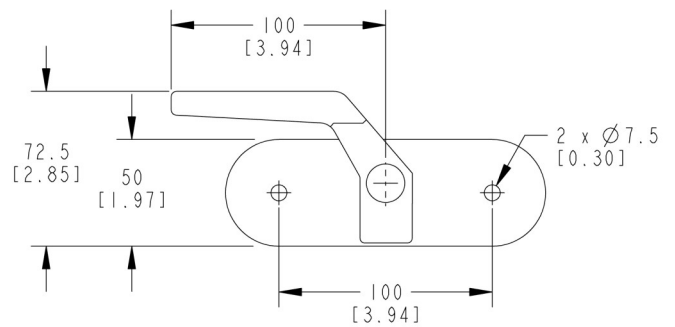
MATERIAL/FINISH:

- Black glass reinforced nylon handle
- Black electrophoretic coated mild steel mounting plate

INSTALLATION:

- Installed with (2) M6 x 1.0 bolts (not included)

Individual part dimensions are for reference only. Refer to individual part dimensions for complete dimensions, specifications, and installation procedures. Engineering assistance and application drawings are available.



For more information visit
www.trimarkcorp.com

010-7120 Window Handle - Double Position

This easy to operate window handle is designed to fit comfortably in the hand for top and side hinged windows for on and off-highway vehicles. Featuring 90 degree rotation with steel mounting plate and glass filled nylon handle. Provides two position venting.



FEATURES/BENEFITS:

- L shape handle style
- Two point latching
- Easy to install

MATERIAL/FINISH:

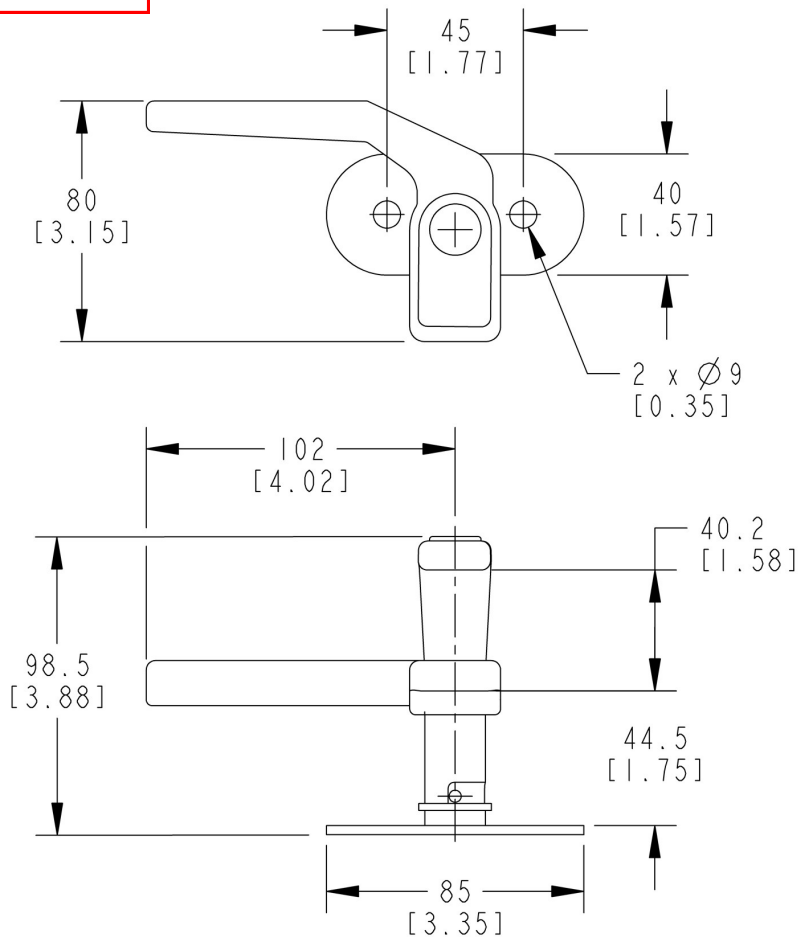
- Black glass reinforced nylon handle
- Black electrophoretic coated mild steel mounting plate

INSTALLATION:

- Installed with (2) M8 bolts (not included)

Individual part dimensions are for reference only. Refer to individual part dimensions for complete dimensions, specifications, and installation procedures. Engineering assistance and application drawings are available.

For more information visit
www.trimarkcorp.com



010-7200 Turnbuckle Catch

These very useful, easy to operate and low cost turnbuckles can be used in a multitude of ways for closing and hold back panels and doors.

FEATURES/BENEFITS:

- L-shape style handle

AVAILABLE:

- Several styling, material and finish options (please inquire)

MATERIAL:

- Glass filled nylon (shown)
- Zinc casting

FINISH:

- Standard black (shown)
- Chrome plated
- Silver painted

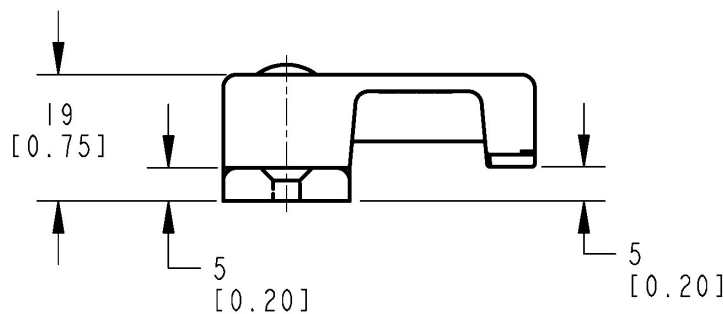
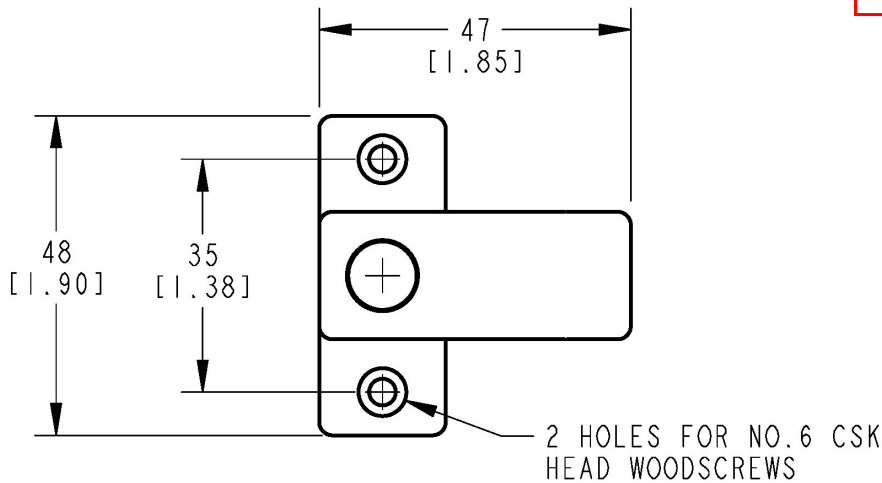
INSTALLATION:

- Easy to install, (2) 4.5mm diameter CSK through holes



Individual part dimensions are for reference only. Refer to individual part dimensions for complete dimensions, specifications, and installation procedures. Engineering assistance and application drawings are available.

For more information visit www.trimarkcorp.com



020-7100 Flush Pull Handle

Recessed pull handle designed for personal and compartment doors for light to medium duty in agricultural and construction applications.

FEATURES/BENEFITS:

- Ergonomic function and styling
- Variants for direct and remote release operations available in push and pull function (please inquire)
- Recessed profile with generous hand clearance
- 360° actuation movement to facilitate fitting in any orientation
- Supplied with mounting gasket
- Various key options available
- Handle free floats when locked

AVAILABLE:

- Several options are available for direct and remote release operation

MATERIAL/FINISH:

- Housing: UV stabilized nylon, brass mounting inserts
- Handle: UV stabilized nylon - gas injection

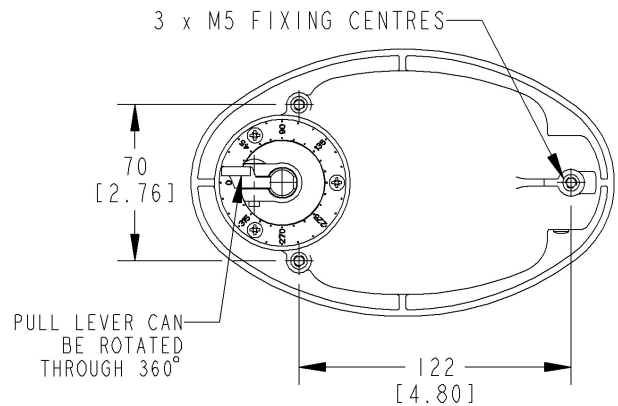
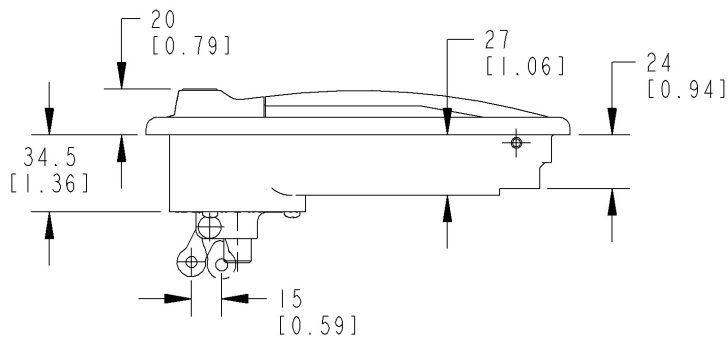
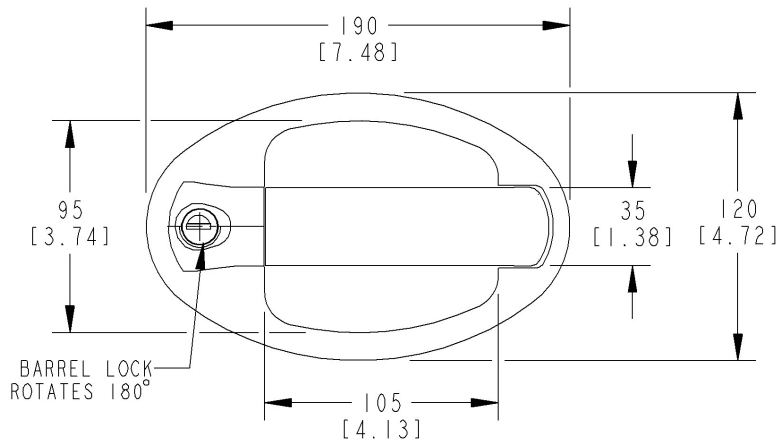


INSTALLATION:

- Easy to install
- (3) M5 brass insert mounting for stability
- Recommended mounting fastener torque to be 2.0 N-m (18 lbf-in) maximum

Individual part dimensions are for reference only. Refer to individual part dimensions for complete dimensions, specifications, and installation procedures. Engineering assistance and application drawings are available.

Caution: Product does not meet the locking requirements for FMVSS 206 (ECE R11).



For more information visit
www.trimarkcorp.com

020-7200 Grab Handle

This molded grab handle offers a balance of strength and weight at a cost effective price.

DESIGNED FOR:

- Exterior applications that require a light duty grab handle

FEATURES/BENEFITS:

- Impact resistant material
- Easy to install
- Good hand clearance

MATERIAL:

- 20% Mineral Filled Polypropylene

FINISH:

- Standard black

INSTALLATION:

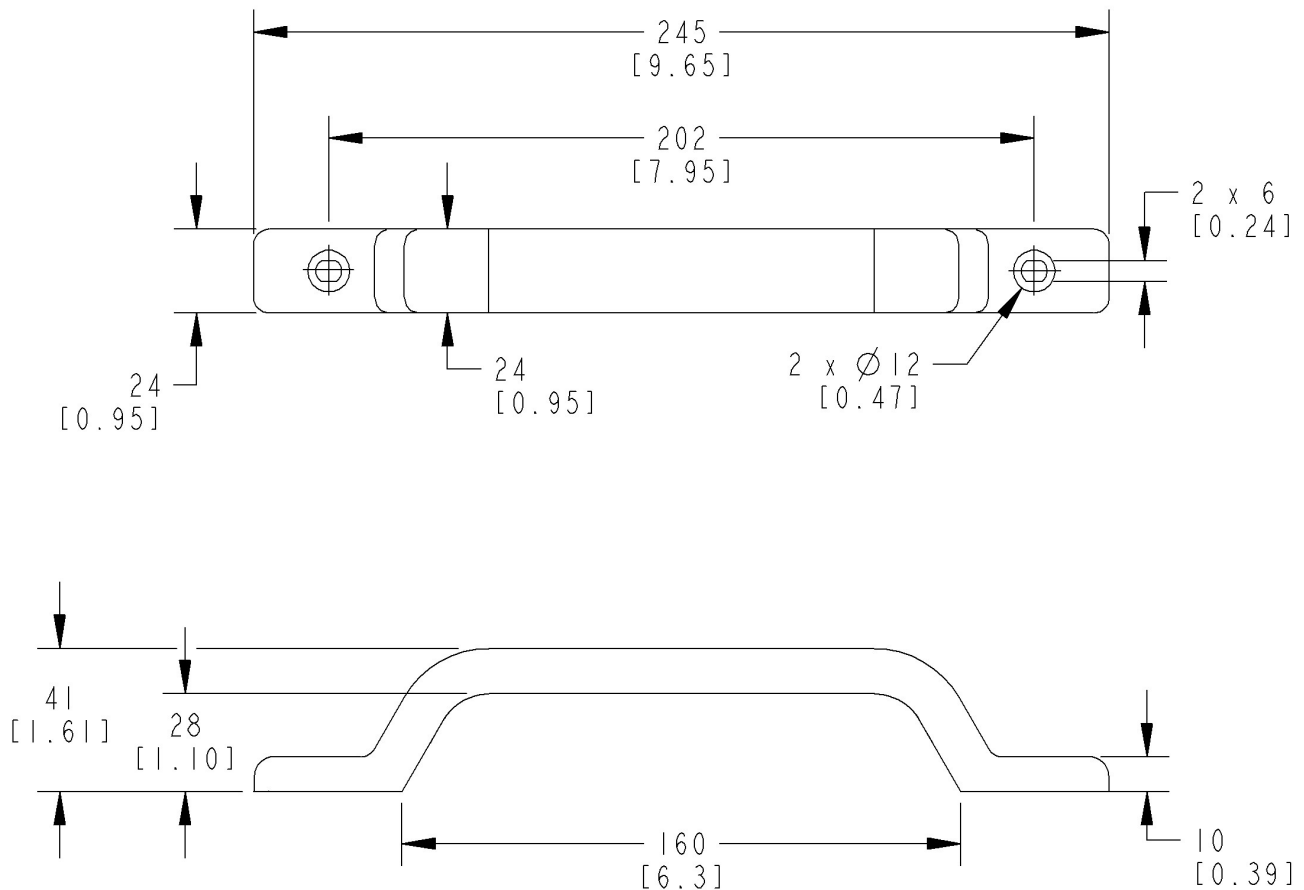
- Easy to install
- (2) M5 pan head screw required for mounting (not



Individual part dimensions are for reference only. Refer to individual part dimensions for complete dimensions, specifications, and installation procedures. Engineering assistance and application drawings are available.

CAUTION: Grab handle is not designed for interior use.

For more information visit www.trimarkcorp.com



030-7100 Recessed Paddle Handle

Recessed zinc die cast paddle handle suitable for entrance doors. Robust design that provides long term durability and benefits from TriMark's KeyOne Plus lock system.

FEATURES/BENEFITS:

- Non-handed style can be used in various orientations
- With mounting gaskets
- KeyOne™ Plus allowing for single keying option with variety of key coding available
- Can be used with a wide variety of available interior latch mechanisms
- Accommodates door thickness from 25mm (.98") to 50mm (1.97")



AVAILABLE:

- Lock can be keyed to match other TriMark door products with KeyOne™ Plus for a single-key system, keyed alike or provided non-locking
- Several options are available to suit a wide variety of applications

MATERIAL:

- Sturdy zinc die cast alloy housing and paddle
- Actuator: Glass filled nylon or zinc die cast



FINISH:

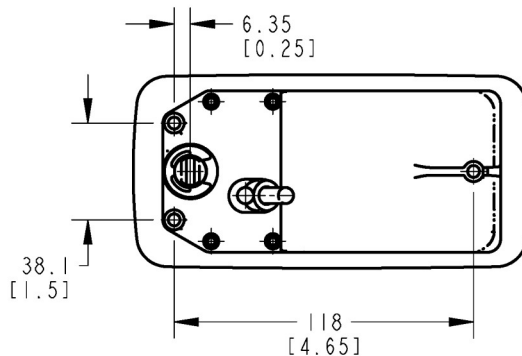
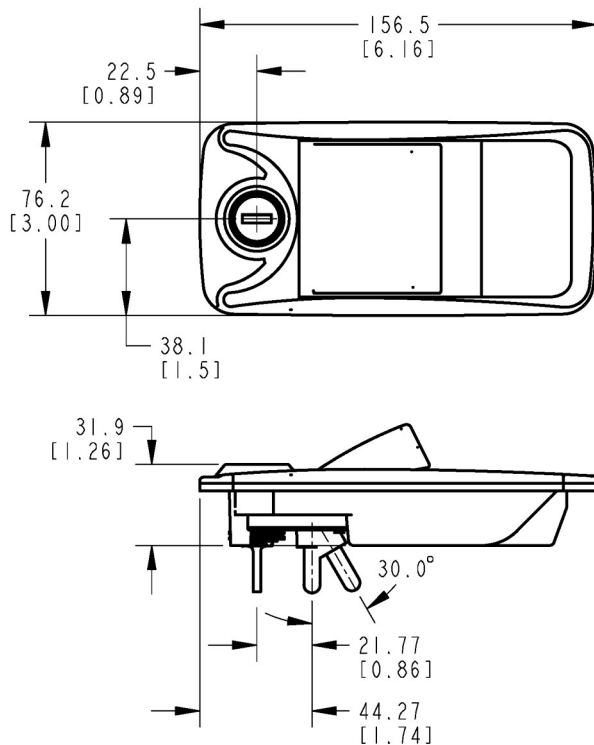
- Standard black or silver powder-coated. Other color options available upon request

INSTALLATION:

- Easy to install, (3) 5mm fixing screws (not included), Recommended mounting fastener torque not to exceed 6 N-m (50 lbs-in)
- Various base plates available

Individual part dimensions are for reference only. Refer to individual part dimensions for complete dimensions, specifications, and installation procedures. Engineering assistance and application drawings are available.

Caution: Product does not meet the locking requirements for FMVSS 206 (ECE R11).



For more information visit www.trimarkcorp.com

030-7300 Compact Recessed Paddle Handle

Compact recessed zinc die cast paddle handle suitable for entrance/compartment doors. Robust design that provides long term durability.

FEATURES/BENEFITS:

- Non-handed style
- With mounting gaskets
- A variety of key coding available
- Used with a variety of available interior plunger style latches
- Accommodates door thickness from 25mm (.98") to 50mm (1.97")

AVAILABLE:

- Several options are available to suit a wide variety of applications

MATERIAL/FINISH:

- Sturdy zinc die cast alloy housing and paddle components



FINISH:

- Standard black or silver powder-coated
- Other color options available upon request

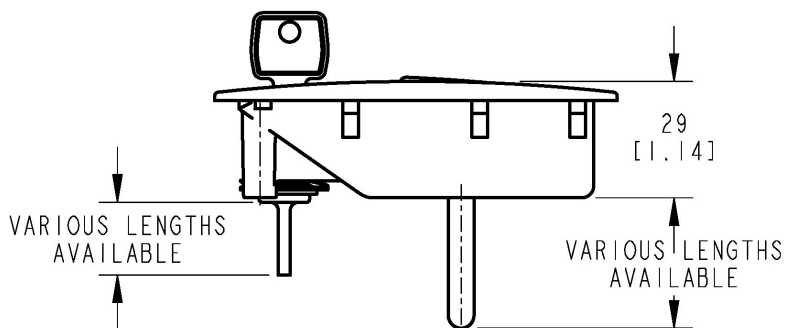
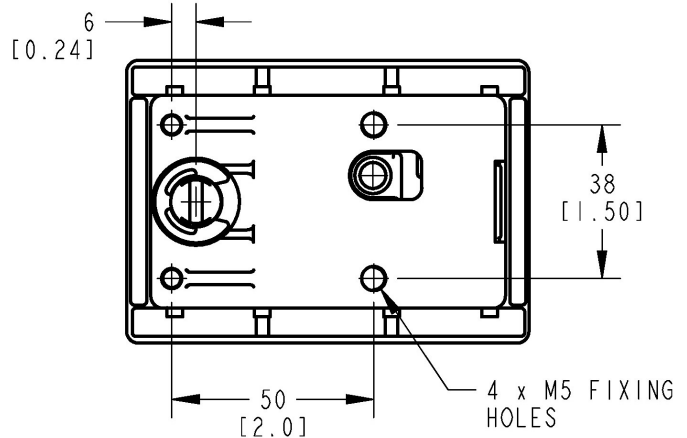
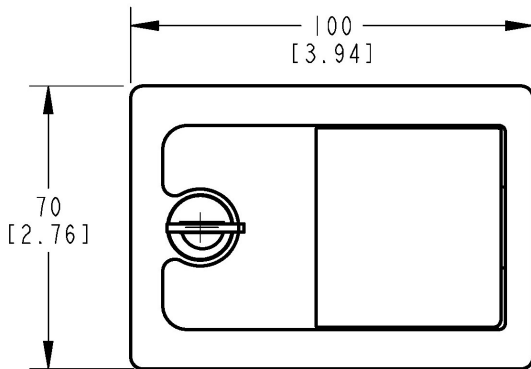
INSTALLATION:

- Easy to install, (4) 5mm fixing screws (not included). Recommended mounting fastener torque not to exceed 6 N-m (50 lbs-in.)
- Various base plates available

Individual part dimensions are for reference only. Refer to individual part dimensions for complete dimensions, specifications, and installation procedures. Engineering assistance and application drawings are available.

Caution: Product does not meet the locking requirements for FMVSS 206 (ECE R11).

For more information visit
www.trimarkcorp.com



040-7100 Push Button Handle - Economy

This exterior push button handle is designed for off-highway vehicle applications that require a surface mounted exterior push button handle.

FEATURES/BENEFITS:

- (2) bolt 120mm (4.72") mounting
- Readily adaptable to a variety of door thickness using various cams
- Suitable for mounting to glass, steel and composite surfaces
- 12mm (.47") button travel
- Easy to operate

AVAILABLE:

- Can be keyed alike with most single and reversible key systems or non-locking configurations
- Locked rigid or free-floating versions
- Variety of cam options

MATERIAL/FINISH:

- Handle/Button: Glass reinforced nylon
- Brass threaded M6 inserts

For more information visit
www.trimarkcorp.com

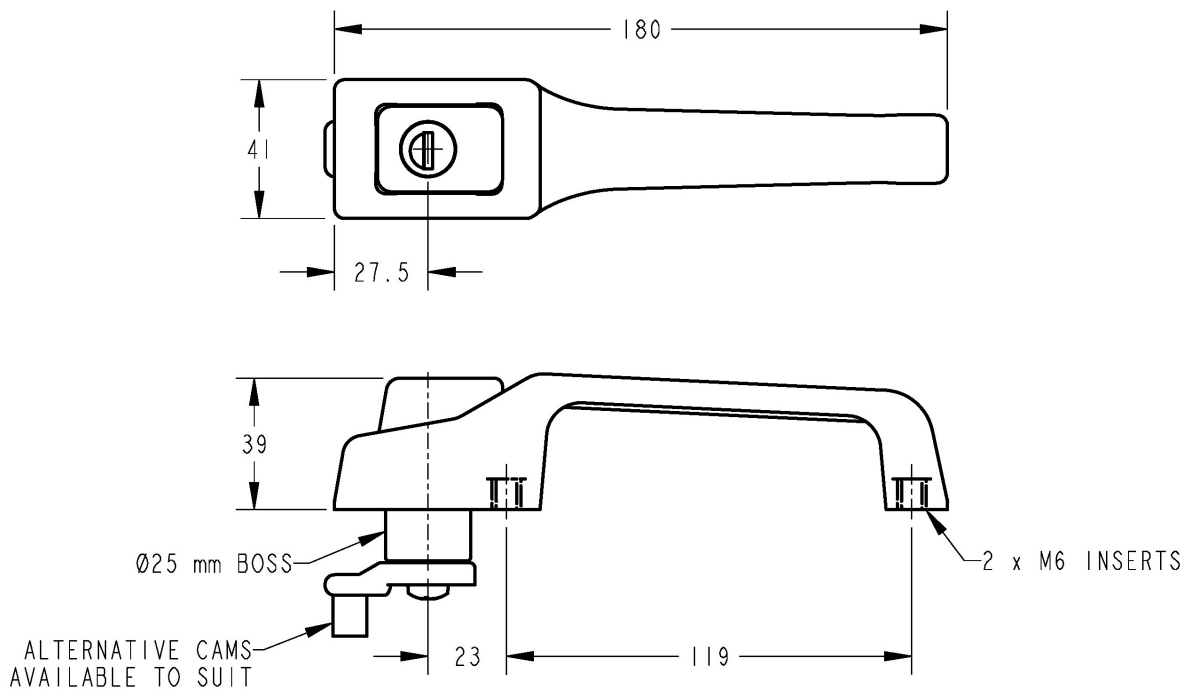


INSTALLATION:

- Installed with (2) M6 x 1.0 bolts (not included)
- Mounts against glass with only two holes
- Available with mounting gaskets
- Recommended mounting fastener torque to be 6-8 N-m (50-59 lbf-in)

Individual part dimensions are for reference only. Refer to individual part dimensions for complete dimensions, specifications, and installation procedures. Engineering assistance and application drawings are available.

Caution: Product does not meet the locking requirements for FMVSS 206 (ECE R11).



040-7200 Push Button Handle - Flat Style

This push button handle is designed for off-highway vehicle applications that require a surface mounted exterior push button handle.

FEATURES/BENEFITS:

- (2 or 3) bolt 120mm (4.72") mounting
- Readily adaptable to a variety of door thickness using various cams
- Suitable for mounting to glass, steel and composite surfaces
- 12mm (.47") button travel
- Incorporates push button thumb shield
- Easy to operate

AVAILABLE:

- Can be keyed alike with most single and reversible key systems or non-locking configurations
- Free-float locking
- Variety of cam options

MATERIAL:

- Handle/Button: Glass reinforced nylon
- Brass threaded M6 inserts

For more information visit
www.trimarkcorp.com

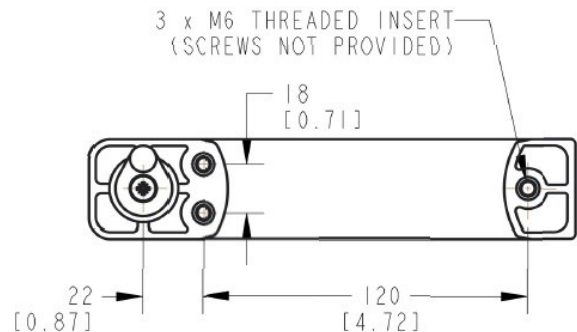
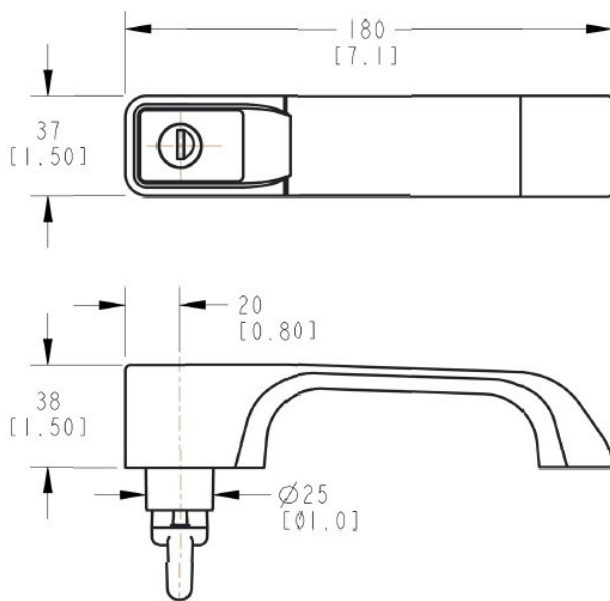


INSTALLATION:

- Installed with (2 or 3) M6 x 1.0 bolts (not included)
- Mounts against glass with only two holes
- Available with mounting gaskets
- Recommended mounting fastener torque to be 6-8 N-m (50-59 lbf-in)

Individual part dimensions are for reference only. Refer to individual part dimensions for complete dimensions, specifications, and installation procedures. Engineering assistance and application drawings are available.

Caution: Product does not meet the locking requirements for FMVSS 206 (ECE R11).



ALL DIMENSIONS ARE FOR
REFERENCE ONLY

040-7300 Push Button Handle - Water Resistant

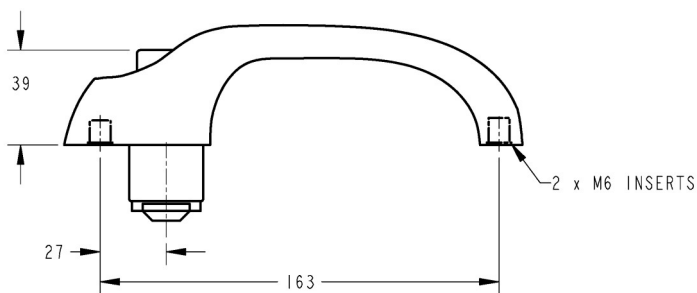
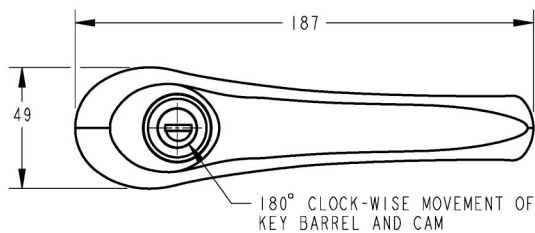
This stylish push button handle is designed for off-highway vehicle applications that require a surface mounted exterior push button handle.

FEATURES/BENEFITS:

- (2) bolt 165mm (6.50") mounting or threaded boss 136mm (5.35") mounting
- Readily adaptable to a variety of door thickness using various cams
- Suitable for mounting to glass, steel and composite surfaces
- 12mm (.47") button travel
- Water resistant to IPX5 (IEC529 edition 2.1 2001/2002)
- Easy to operate (ergonomic)

AVAILABLE:

- Can be keyed alike with most single and reversible key systems or non-locking configurations
- Locked rigid or free-floating versions



For more information visit
www.trimarkcorp.com



MATERIAL:

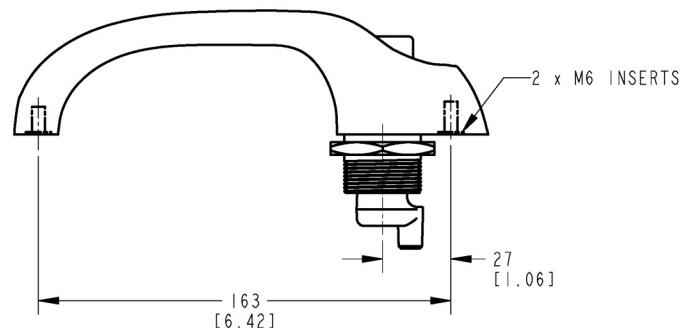
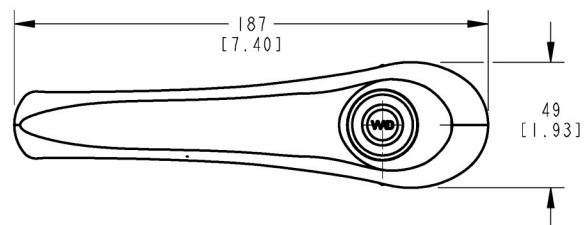
- Handle/Button: Glass reinforced nylon
- Brass threaded inserts for conventional two hole fixing
- Brass nut for Boss mount

INSTALLATION:

- Installed with (2) M6 x 1.0 bolts (not included) or with M30 brass nut (included) and (1) M6 x 1.0 bolt (not included)
- Mounts against glass with only two holes
- Available with mounting gaskets
- Recommended mounting fastener torque to be 6-8 N-m (50-59 lbf-in)

Individual part dimensions are for reference only. Refer to individual part dimensions for complete dimensions, specifications, and installation procedures. Engineering assistance and application drawings are available.

Caution: Product does not meet the locking requirements for FMVSS 206 (ECE R11).



050-7100 10mm Single Rotor Latch

The compact 050-7100 10mm Single Rotor Latch is designed for operator door applications for off-highway vehicles.

- Light to medium duty doors up to 45Kg (100 lbs.) with door seal pressures no greater than 11 Kg (25 lbs.)

FEATURES/BENEFITS:

- Compact size and shape; requires minimum use of door space
- Two position rotary function suitable for personnel doors for FMVSS 206 and ECE R11 applications
- Inside release options
- Standard black finish reduces the need for secondary painting
- One variant supplied with latch plastic cover

AVAILABLE:

- Versions are available to allow direct or remote actuation from exterior push button or paddle handles
- With and without on latch direct release inside levers
- With left and right variants; provides application flexibility (right hand shown)

MATERIAL/FINISH:

- Inside release components: Nylon or steel with nylon knob
- Black plated steel case halves
- Cam and catch: Heat treated steel

INSTALLATION:

- Easy to install -- recommended mounting fastener (2) M6 x 1.0 flat or oval head class 8.8 or better fasteners are required for FMVSS 206 (ECE-R11) (not included)
- Tighten to the fasteners recommended torque value, however, do not exceed 6 to 8 N-m (53 to 70 in-lbs.)
- Latch mounting plate supplied, is required to meet FMVSS 206 (ECE-R11) loads



USE WITH:

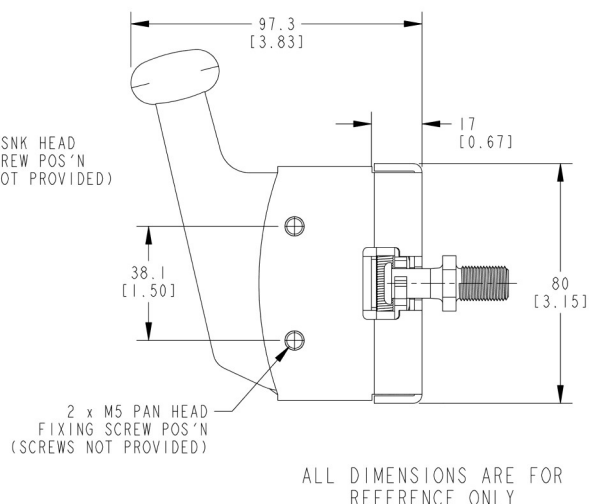
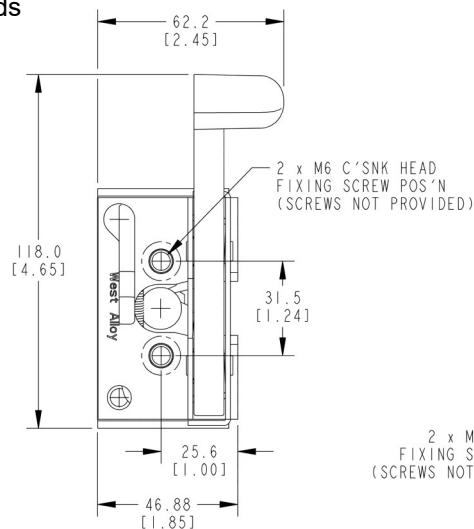
- Latch Mounting Plate (included)
- 070-7100 10mm Striker Pin

Individual part dimensions are for reference only. Refer to individual part drawings for complete dimensions, specifications, and installation procedures. Engineering assistance and application drawings are available.

Note that this 050-7100 10mm Single Rotor Latch complies with FMVSS 206 (ECE R11) when tested with supplied bracket and accordance with SAE J839 and that this product meets FMVSS 206 (ECE R11) load requirements and may be used in FMVSS 206 (ECE R11) applications pending TriMark application approval. Please refer to page 158 for the complete FMVSS 206 (ECE R11) statement.

Caution: Product does not meet the locking requirements for FMVSS 206 (ECE R11).

For more information visit
www.trimarkcorp.com



050-7120 10mm Single Rotor Latch with Handrail

The compact 050-7120 10mm Single Rotor Latch with Handrail is designed for operator and compartment door applications for off-highway vehicles that require a remote interior release. The latch is incorporated into a rectangular tube for support for the opening and closing function of the door and provides for greater ease of operation (ergonomics) over direct releases.

- Light to medium duty doors up to 45Kg (100 lbs.) with door seal pressures no greater than 11 Kg (25 lbs.)

FEATURES/BENEFITS:

- Compact size and shape; requires minimum use of door space
- Two position rotary function suitable for personnel doors for FMVSS 206 (ECE R11) applications
- Standard black finish reduces the need for secondary painting
- Supplied with latch plastic cover
- Robust designed remote inside release is incorporated into rectangular tubing which gives additional door structure support and assistance for the opening and closing functions of the door
- Provides for greater ease of operation
- Inside release can be positioned at two points along the tube for convenient location to suit the door/cab design
- Inside release is connected by rods, cables or direct operation to the latch

AVAILABLE:

- Versions are available to allow direct or remote actuation from exterior push button or flap handles
- With left and right variants; provides application flexibility (right hand shown)
- Tube is variable in length and angled to suit customer requirements providing flexibility in the product application



MATERIAL/FINISH:

- Inside release components: Nylon, zinc casting
- Black plated steel case halves
- Cam and catch: Heat treated steel
- Springs: Non-corrosive stainless steel
- Tubing: Black painted steel
- Tube mounting end: Reinforced nylon

INSTALLATION:

- Easy to install -- recommended mounting fastener (2) M6 x 1.0 flat or oval head class 8.8 or better fasteners are required for FMVSS 206 (ECE R11) (not included) plus (1) M6 fastener on handrail end
- Tighten to the fasteners recommended torque value, however, do not exceed 6 to 8 N-m (53 to 70 in-lbs.)
- Latch mounting plate required is required to meet FMVSS 206 (ECE R11) loads

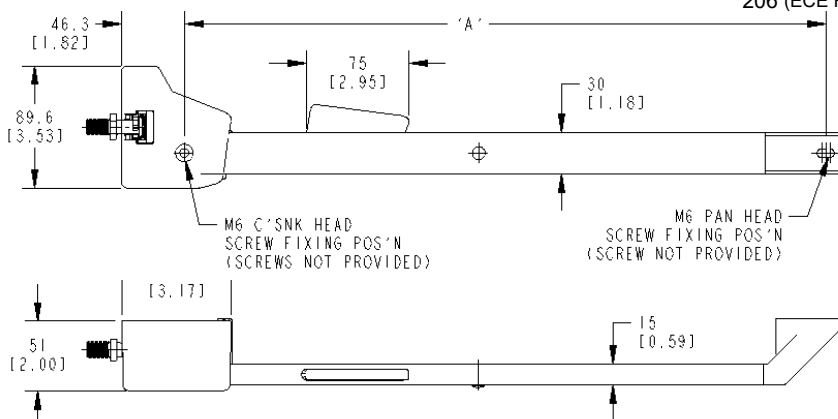
USE WITH:

- Latch Mounting Plate (included)
- 070-7100 10 mm Striker Pin

Individual part dimensions are for reference only. Refer to individual part drawings for complete dimensions, specifications, and installation procedures. Engineering assistance and application drawings are available.

Note that this 050-7120 10mm Single Rotor Latch complies with FMVSS 206 (ECE R11) when tested with supplied bracket and accordance with SAE J839 and that this product meets FMVSS 206 (ECE R11) load requirements and may be used in FMVSS 206 (ECE R11) applications pending TriMark application approval. Please refer to page 158 for the complete FMVSS 206 (ECE R11) statement.

Caution: Product does not meet the locking requirements for FMVSS 206 (ECE R11).



For more information visit
www.trimarkcorp.com

050-7130 10mm Single Rotor Latch with Squeeze Release

The compact 050-7130 10mm Single Rotor Latch with Squeeze Release is designed for operator door applications for off-highway vehicles that require a remote interior release. Similar to the 050-7120, this 10mm Single Rotor Latch with Direct Squeeze Release allows inside squeeze release integration into the customers door tubing.

- Light to medium duty doors up to 45Kg (100 lbs.) with door seal pressures no greater than 11 Kg (25 lbs.)

FEATURES/BENEFITS:

- Compact size and shape; requires minimum use of door space
- Two position rotary function suitable for personnel doors for FMVSS 206 (ECE-R11) applications
- Standard black finish reduces the need for secondary painting
- Robust designed remote inside release is able to be incorporated into customer door tubing
- Provides for greater ease of operation

AVAILABLE:

- Versions are available to allow direct or remote actuation from exterior push button or paddle handles
- With left and right variants; provides application flexibility (right hand shown)

MATERIAL/FINISH:

- Inside release components: Nylon
- Black plated steel case halves
- Cam and catch: Heat treated steel



INSTALLATION:

- Easy to install -- recommended mounting fastener (2) M6 x 1.0 flat or oval head class 8.8 or better fasteners are required for FMVSS 206 (ECE R11) (not included)
- Tighten to the fasteners recommended torque value, however, do not exceed 6 to 8 N-m (53 to 70 in-lbs.)
- Latch mounting plate required is required to meet FMVSS 206 (ECE R11) loads

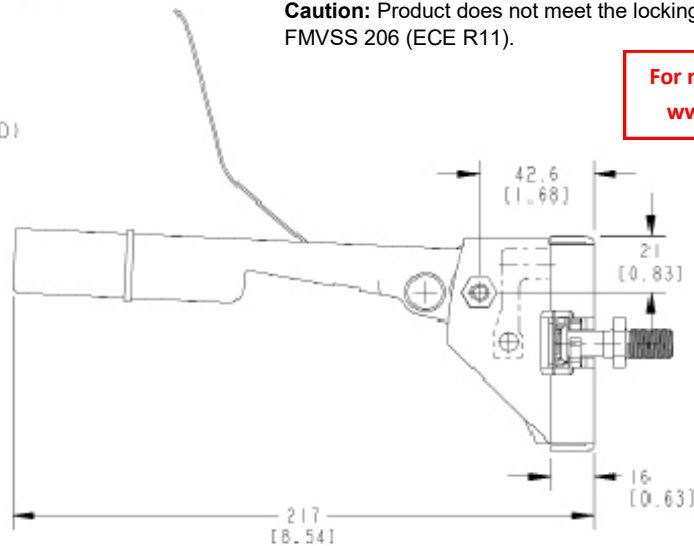
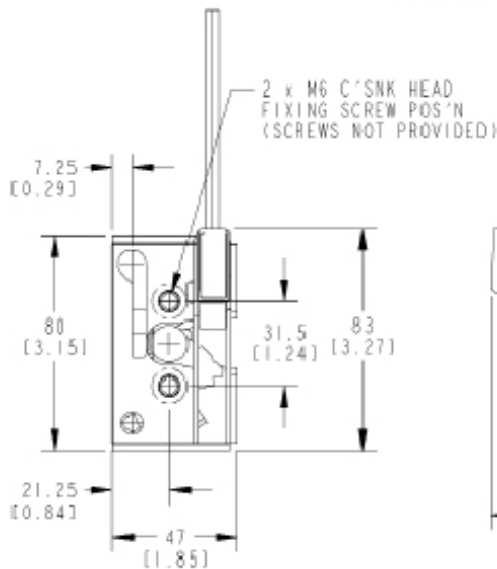
USE WITH:

- Latch Mounting Plate (included)
- 070-7100 10 mm Striker Pin

Individual part dimensions are for reference only. Refer to individual part dimensions for complete dimensions, specifications, and installation procedures. Engineering assistance and application drawings are available.

Note that this 050-7130 10mm Single Rotor Latch Squeeze Release complies with FMVSS 206 (ECE R11) when tested with supplied bracket and accordance with SAE J839 and that this product meets FMVSS 206 (ECE R11) load requirements and may be used in FMVSS 206 (ECE R11) applications pending TriMark application approval. Please refer to page 158 for the complete FMVSS 206 (ECE R11) statement.

Caution: Product does not meet the locking requirements for FMVSS 206 (ECE R11).



For more information visit www.trimarkcorp.com

050-7140 10mm Single Rotor Latch with Cable Release

The compact 050-7140 10mm Single Rotor Latch with Cable Release is designed for operator applications for off-highway vehicles that require a remote interior release. Similar to the 050-7120, this 10mm Single Rotor Latch with Cable Release allows inside squeeze release integration into the customers door tubing.

- Light to medium duty doors up to 45Kg (100 lbs.) with door seal pressures no greater than 11 Kg (25 lbs.)

FEATURES/BENEFITS:

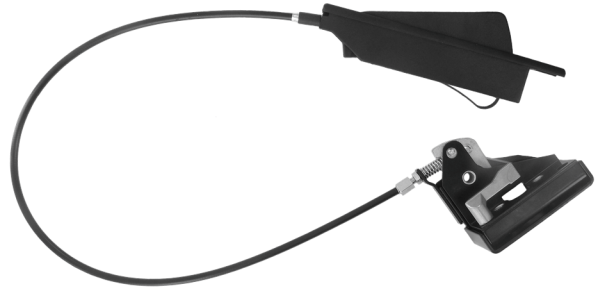
- Compact size and shape; requires minimum use of door space
- Two position rotary function suitable for personnel doors for FMVSS 206 (ECE R11) applications
- Standard black finish reduces the need for secondary painting
- Supplied with latch plastic cover
- Provides for greater ease of operation (ergonomics) and flexibility into customers door tubing

AVAILABLE:

- Versions are available to allow direct or remote actuation from exterior push button or paddle handles
- With left and right variants; provides application flexibility (right hand shown)
- Multiple cable lengths are available providing flexibility in the product application. Custom lengths are available (please inquire)

MATERIAL/FINISH:

- Black plated steel case halves
- Cam and catch: Heat treated steel



INSTALLATION:

- Easy to install -- recommended mounting fastener (2) M6 x 1.0 flat or oval head class 8.8 or better fasteners are required for FMVSS 206 (ECE R11) (not included)
- Tighten to the fasteners recommended torque value, however, do not exceed 6 to 8 N-m (53 to 70 in-lbs.)
- Latch mounting plate required is required to meet FMVSS 206 (ECE R11) loads

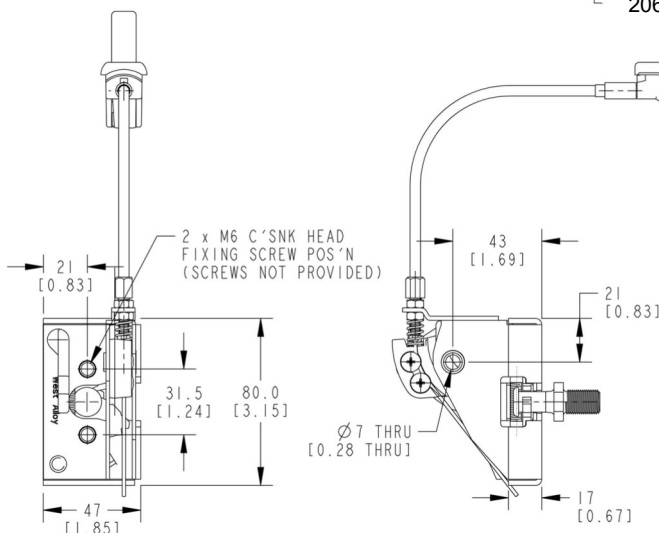
USE WITH:

- Latch Mounting Plate (included)
- 070-7100 10 mm Striker Pin

Note that this 050-7140 10mm Single Rotor Latch with Cable Release complies with FMVSS 206 (ECE R11) when tested with supplied bracket and accordance with SAE J839 and that this product meets FMVSS 206 (ECE R11) load requirements and may be used in FMVSS 206 (ECE R11) applications pending TriMark application approval. Please refer to page 158 for the complete FMVSS 206 (ECE R11) statement.

Individual part dimensions are for reference only. Refer to individual part dimensions for complete dimensions, specifications, and installation procedures. Engineering assistance and application drawings are available.

Caution: Product does not meet the locking requirements for FMVSS 206 (ECE R11).



ALL DIMENSIONS ARE FOR REFERENCE ONLY

For more information visit
www.trimarkcorp.com

050-7180 10mm Single Rotor Latch with Finger Release

The compact 050-7180 10mm Single Rotor Latch with Finger Release is designed for compartment door applications for off-highway vehicles that require a simple and compact rotary latch with a finger release.

- Access panels and hoods for light duty doors up to 23Kg (50 lbs.) with door seal pressures no greater than 7 Kg (15 lbs.)

FEATURES/BENEFITS:

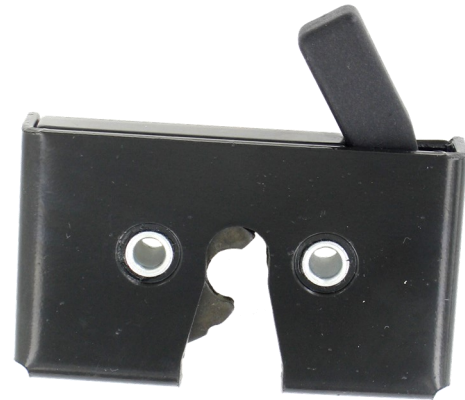
- Compact size and shape; allows maximum use of door space
- Two position rotary function
- Standard black finish reduces the need for secondary painting

AVAILABLE:

- Versions are available to allow application flexibility
- With and without direct release inside levers
- With left and right variants; provides application flexibility (right hand shown)

MATERIAL/FINISH:

- Black plated steel case halves
- Cam and finger release: Heat treated steel



INSTALLATION:

- Easy to install -- recommended mounting fastener (2) M6 x 1.0 flat or oval head fasteners are required (not included)

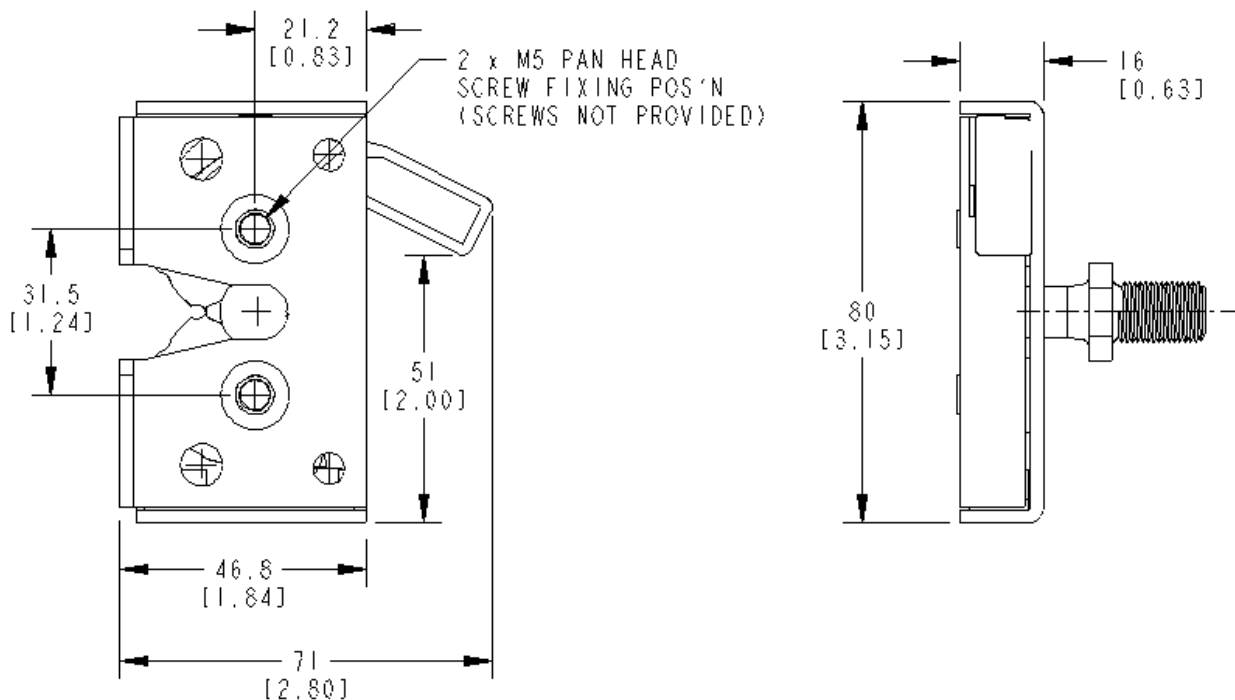
USE WITH:

- 070-7100 10 mm Striker Pin

Individual part dimensions are for reference only. Refer to individual part dimensions for complete dimensions, specifications, and installation procedures. Engineering assistance and application drawings are available.

Caution: Latch does not meet FMVSS 206 (ECE R11) load requirements.

For more information visit
www.trimarkcorp.com



050-7200 10mm Single Rotor Latch with Dual Trip Levers

The compact 050-7200 10mm Single Rotor Latch with Dual Release Levers is designed for operator and compartment door applications for off-highway vehicles. Offering a direct push button handle release with remote cable or rod actuated inside release providing expanded application flexibility.

- Light to medium duty doors up to 45Kg (100 lbs.) with door seal pressures no greater than 20 Kg (44 lbs.)

FEATURES/BENEFITS:

- Compact size and shape; requires minimum use of door space
- Standard black finish reduces the need for secondary painting
- Two position rotary function

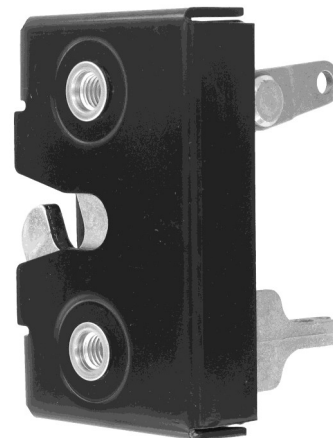
AVAILABLE:

- Versions are available to allow direct or remote actuation from exterior push button or paddle handles
- With left and right variants; provides application flexibility (right hand shown)

MATERIAL/FINISH:

- Black plated steel case halves
- Cam and catch: Heat treated steel

For more information visit
www.trimarkcorp.com



INSTALLATION:

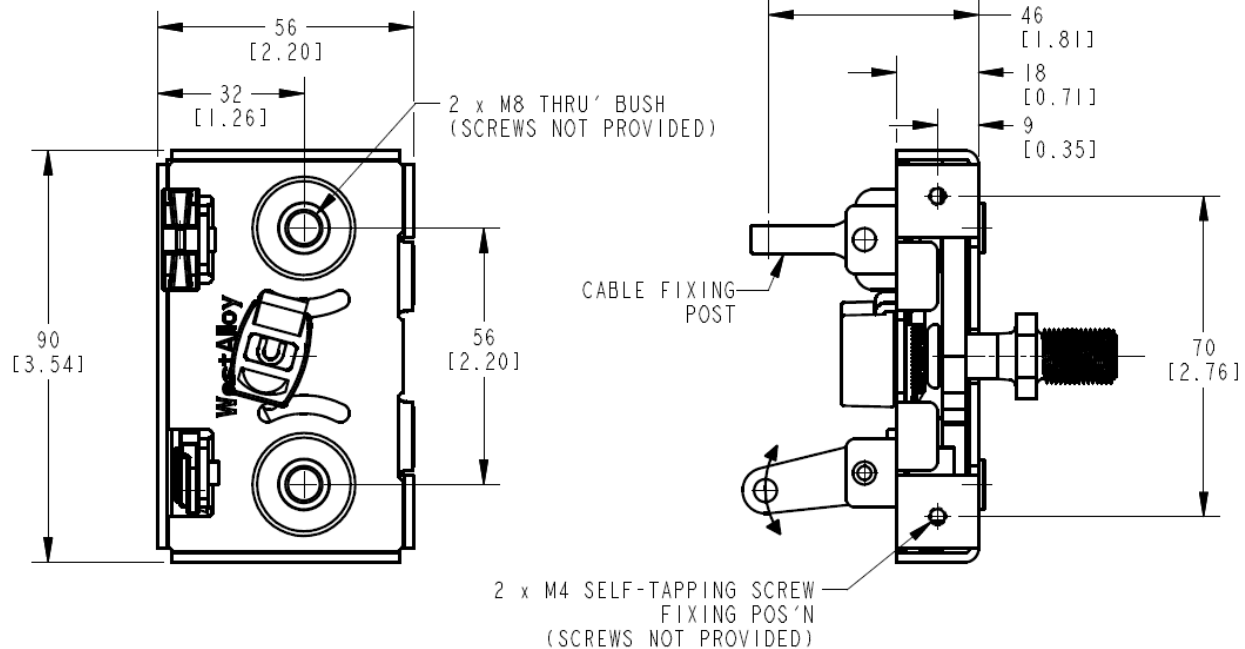
- Easy to install -- recommended mounting fastener (2) M8 x 1.25 flat or oval head fasteners are required (not included)

USE WITH:

- 070-7100 10 mm Striker Pin

Individual part dimensions are for reference only. Refer to individual part dimensions for complete dimensions, specifications, and installation procedures. Engineering assistance and application drawings are available.

Caution: Latch does not meet FMVSS 206 (ECE R11) load requirements.



060-7100 Plunger Latch - Low Profile L - Handle

Designed for compartment and access doors where low cost slam action latching with L-handle actuation is desired. It features a robust zinc die cast plunger bolt for durability.

FEATURES/BENEFITS:

- Various handle styles
- Easy to install
- Accommodates door thickness from 25mm to 50mm (1.00-2.00")
- Non-handed

AVAILABLE:

- Several options are available to suit a variety of applications

MATERIAL

- Sturdy zinc die cast alloy housing and plunger bolt components

FINISH:

- Standard black or silver powder coated
- Other color options available upon request

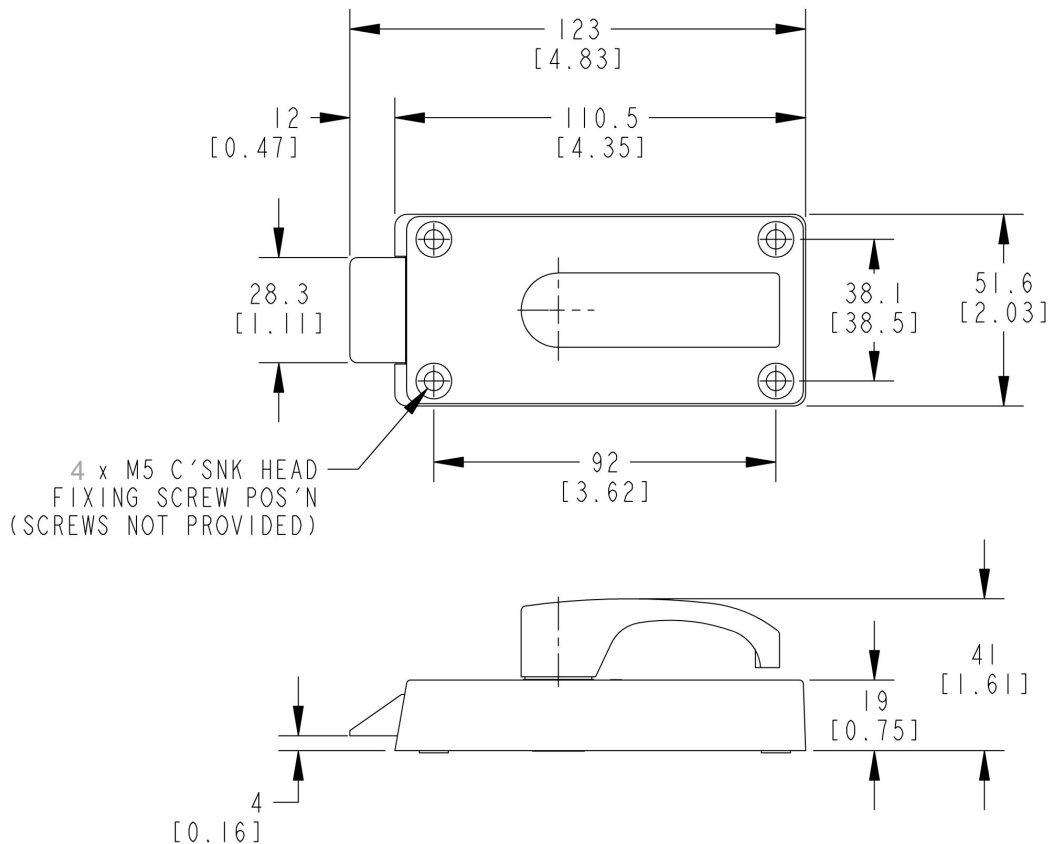


INSTALLATION:

- Easy to install, (4) M5 fixing screws available, not to exceed 6 N-m (50 in-lbs)
- Various base plates available (spacer)

Individual part dimensions are for reference only. Refer to individual part dimensions for complete dimensions, specifications, and installation procedures. Engineering assistance and application

For more information visit



060-7200 Heavy Duty Plunger Latch - Large L - Handle

Designed for compartment and access doors where low cost slam action latching with L-handle actuation is desired. It features a robust zinc die cast plunger bolt for durability.

FEATURES/BENEFITS:

- Various handle styles
- Easy to install
- Accommodates door thickness from 25mm to 50mm (1.00-2.00")
- Internal Locking

AVAILABLE:

- Several options are available to suit a variety of applications
- Left and right hand variants (handle rotation)

MATERIAL

- Sturdy zinc die cast alloy housing
- Zinc die cast alloy plunger bolt with steel reinforcement plate

FINISH:

- Standard black or silver powder coated
- Other color options available upon request

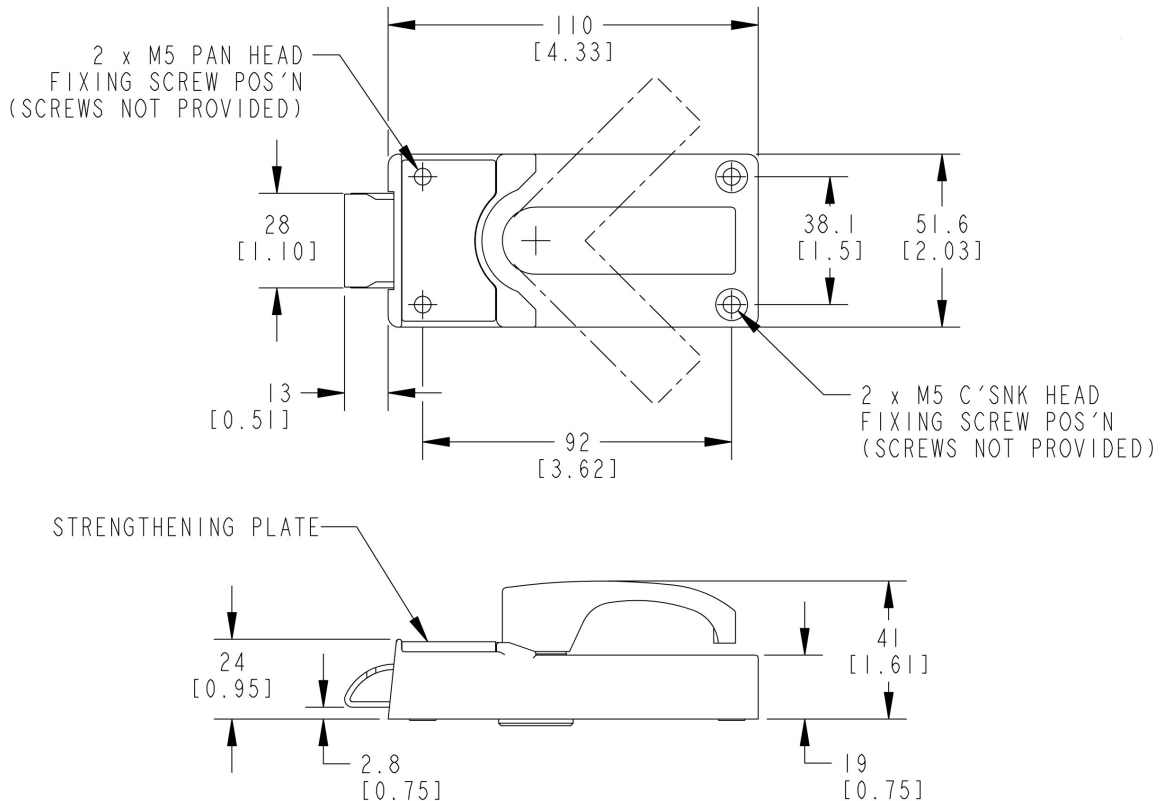


INSTALLATION:

- Easy to install, (4) M5 fixing screws available, not to exceed 6 N-m (50 in-lbs)
- Various base plates available (spacer)

Individual part dimensions are for reference only. Refer to individual part dimensions for complete dimensions, specifications, and installation procedures. Engineering assistance and application drawings are available.

For more information visit
www.trimarkcorp.com



070-7100 10mm Striker Pin

Designed as a companion part for use with single rotor latches that requires a 10mm (.394") diameter striker pin and compliance to FMVSS 206 (ECE R11).

MATERIAL/FINISH:

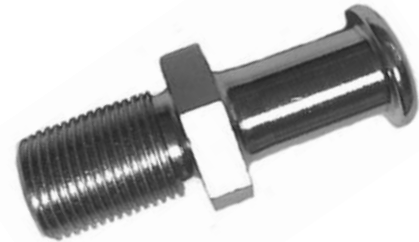
- Typical materials include 212M36 (En8M) steel (or equivalent)
- Zinc and clear passivate

INSTALLATION:

- M12 x 1.0 thread - torque to 113 N-m (85 ft-lbs) minimum depending upon surface conditions

STRIKER INSTALLATION:

- Install striker pin in door frame
- Close door carefully and check for interference between head of striker pin and latch components
- Add or remove shims under striker pin as required (outside diameter of shim should be larger than outside diameter of striker pin)
- Adjust striker pin vertically so door is not guided upward or downward while being closed
- CHECK TO DETERMINE THAT BOTH SECONDARY AND PRIMARY LATCHING POSITIONS ARE USABLE
- Door should be latched but not "closed" in secondary position with respect to adjacent surfaces in primary position
- If both primary and secondary positions are not evident, readjust striker pin
- After installation, check door alignment and door seal pressures

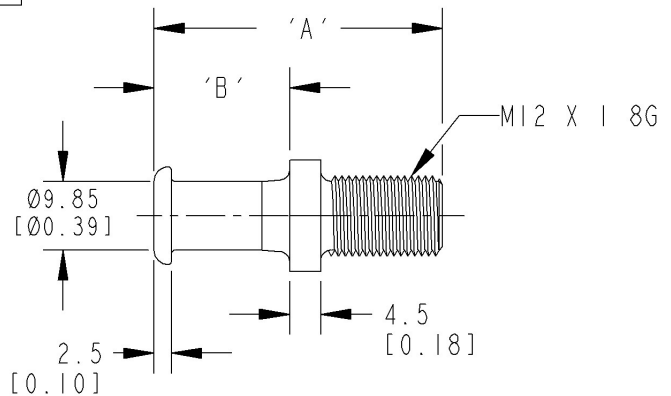
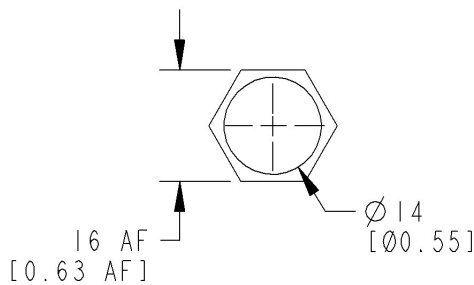


Individual part dimensions are for reference only. Refer to individual part dimensions for complete dimensions, specifications, and installation procedures. Engineering assistance and application drawings are available.

Note: 070-7100 10mm Striker Pin is designed and tested to meet or exceed FMVSS 206 (ECE R11) safety requirements only when used with TriMark's corresponding FMVSS 206 (ECE R11()) compliant latches.

For more information visit
www.trimarkcorp.com

PART NO.	DIM 'A'	DIM 'B'
4713	41.5 [1.64]	19.5 [0.77]
4722	49.0 [1.93]	19.5 [0.77]
4747	49.5 [1.95]	27.5 [1.08]
4756	60.0 [2.36]	35.0 [1.38]



080-7100 Over - Center Latch

Designed with no metallic parts for a direct replacement for steel where corrosion may not be acceptable. Locking pin can be replaced with a padlock (not supplied).

FEATURES/BENEFITS:

- Ergonomic function and styling
- Quick release pin or padlock option
- Impact resistant
- Unique non-metallic design reduces weight and provides corrosion resistance over steel counterparts

AVAILABLE:

- With or without keeper (please inquire)

MATERIAL:

- UV stabilized black nylon

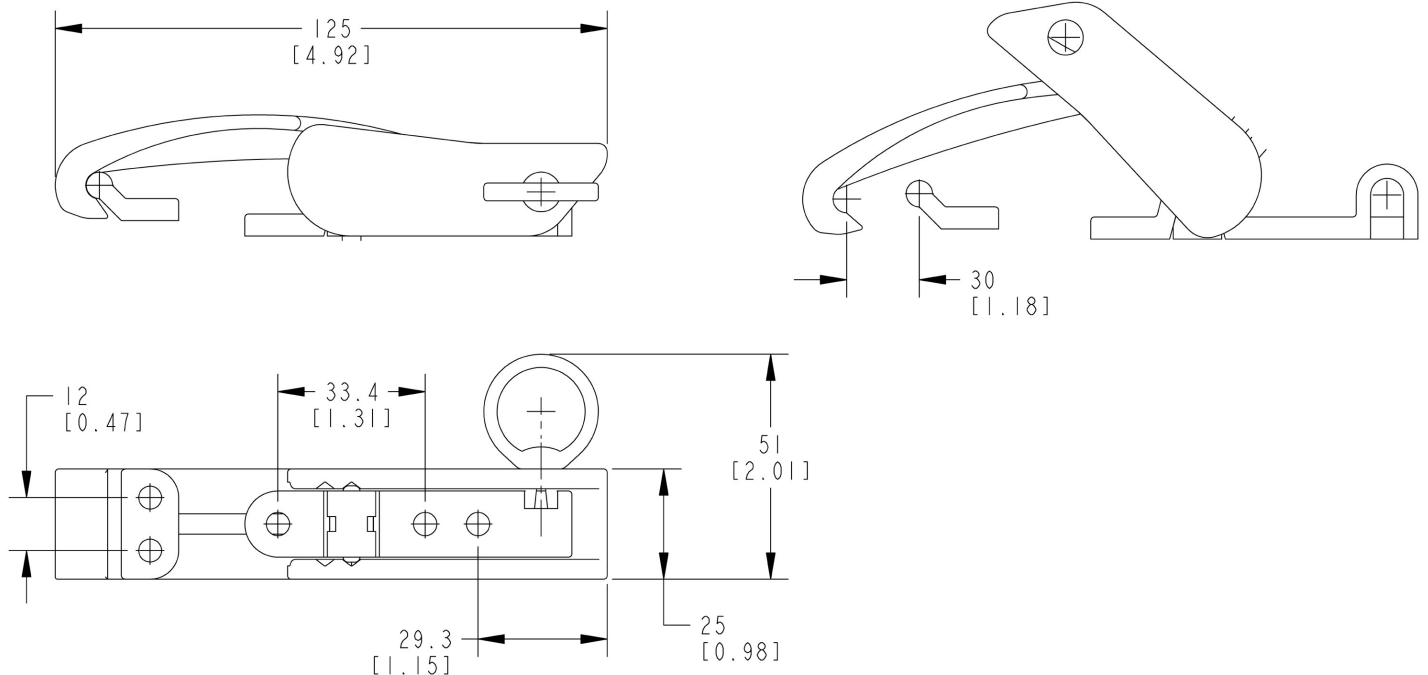
INSTALLATION:

- Easy to install
- (3) M5 CSK screws for body (2) M5 CSK screws for keep (screws not supplied) or alternatively can be riveted

Individual part dimensions are for reference only. Refer to individual part dimensions for complete dimensions, specifications, and installation procedures. Engineering assistance and application drawings are available.



For more information visit
www.trimarkcorp.com



090-7100 T - Style Over - Center Window Stay

This easy to operate window hold-open is designed to fit comfortably in the hand for top and side hinged venting windows for on and off-highway vehicles. It features an over center design that orientates the window at fully closed and fully open positions and an optional quick release pin in bright red nylon or steel.

FEATURES/BENEFITS:

- Mushroom window fixings designed for 5mm or 6mm glass thickness
- Non-handed style will work on windows in any orientation
- Easy to install with window fixings
- Ratchet (optional) allows for various opening positions

AVAILABLE:

- With or without quick release pin (please inquire)
- With mounting gaskets

MATERIAL:

- Glass reinforced nylon - black
- Brass threaded insert

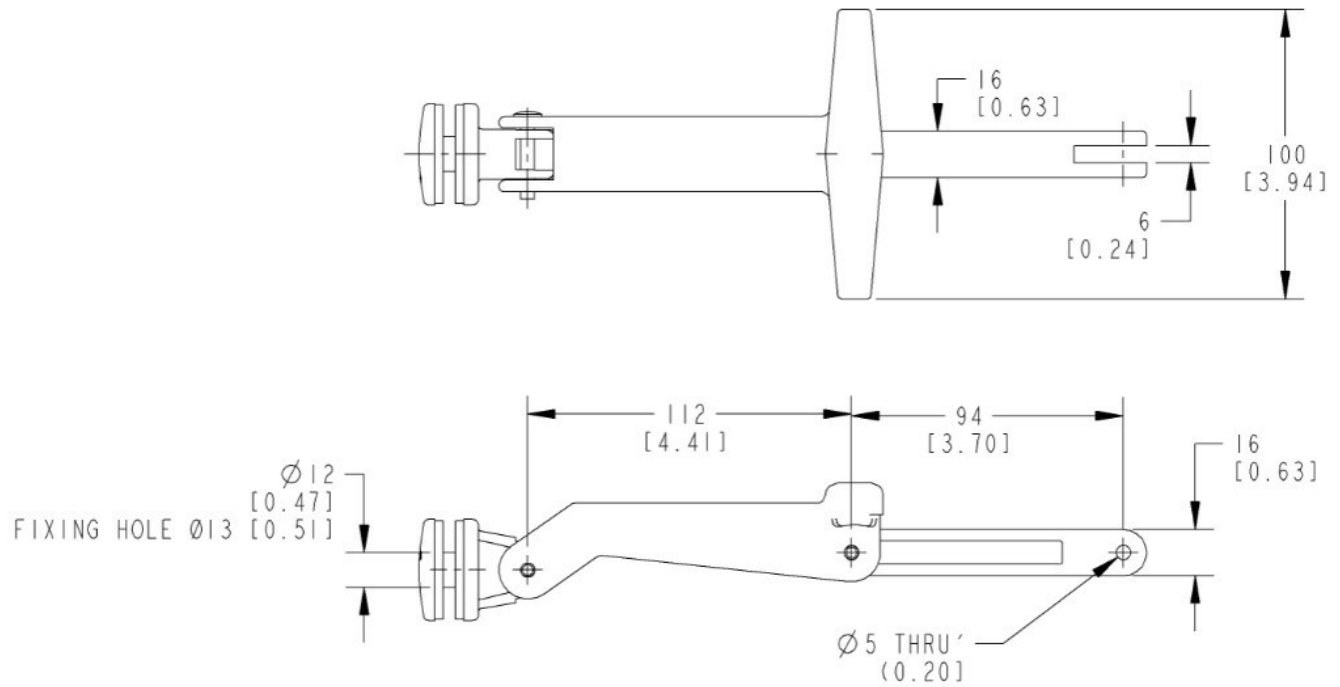


INSTALLATION:

- Installs through 13mm (.50") diameter hole
- Maximum opening of 220mm
- Mushroom fixing - not to exceed 6 N-m (50 in lbs)

Individual part dimensions are for reference only. Refer to individual part dimensions for complete dimensions, specifications, and installation procedures. Engineering assistance and application drawings are available.

For more information visit
www.trimarkcorp.com



090-7110 Compact T - Style Window Hold Open

This easy to operate window hold-open is designed to fit comfortably using a two finger operation for top and side hinged venting windows for on and off-highway vehicles. It features an over center design that orientates the window at fully closed and fully open positions and an optional quick release pin in bright red nylon or steel.



FEATURES/BENEFITS:

- Mushroom window fixings designed for 5mm or 6mm glass thickness
- Non-handed style will work on windows in any orientation
- Easy to install with window fixings (optional)
- Ratchet, allows for various opening positions

AVAILABLE:

- With or without quick release pin (please inquire)
- With mounting gaskets

MATERIAL:

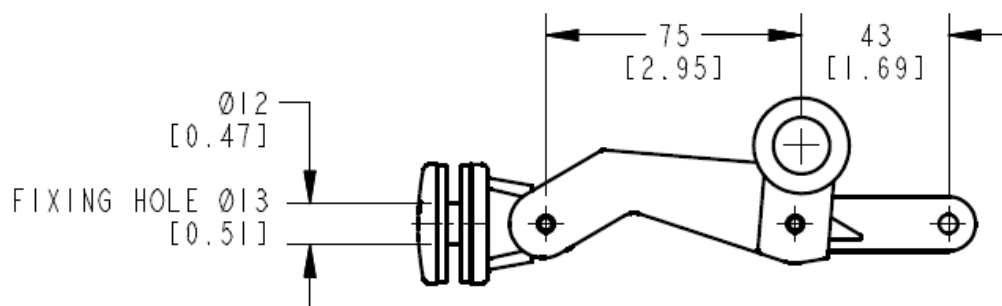
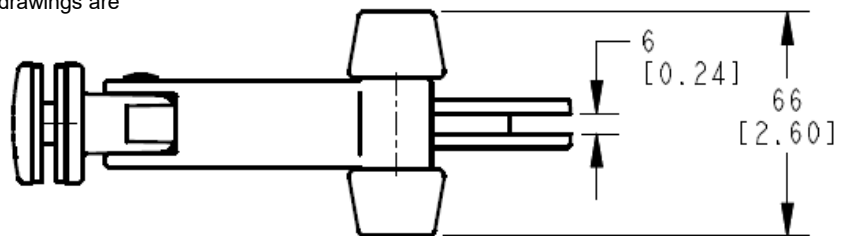
- Glass reinforced nylon
- Brass threaded insert

INSTALLATION:

- Installs through 13mm (.50") diameter hole
- Maximum opening of 135mm
- Not to exceed 6 N-m (50 in lbs)

Individual part dimensions are for reference only. Refer to individual part dimensions for complete dimensions, specifications, and installation procedures. Engineering assistance and application drawings are available.

For more information visit
www.trimarkcorp.com



090-7200 L - Style Over - Center Window Hold Open

This easy to operate window hold-open is designed to fit comfortably in the hand for top and side hinged venting windows for on and off-highway. It features an over center design that orientates the window at fully closed and fully open positions and an optional quick release pin in bright red nylon or steel.

FEATURES/BENEFITS:

- Mushroom window fixings designed for 5mm or 6mm glass thickness
- Easy to install with window fixings (optional)
- Ratchet, allows for various opening positions

AVAILABLE:

- With or without quick release pin (please inquire)
- With mounting gaskets

MATERIAL:

- Glass reinforced nylon
- Brass threaded insert

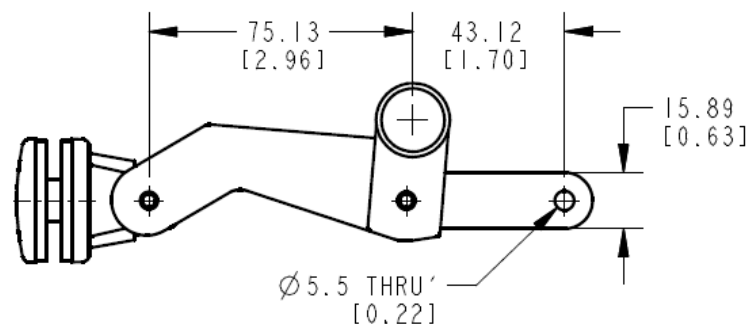
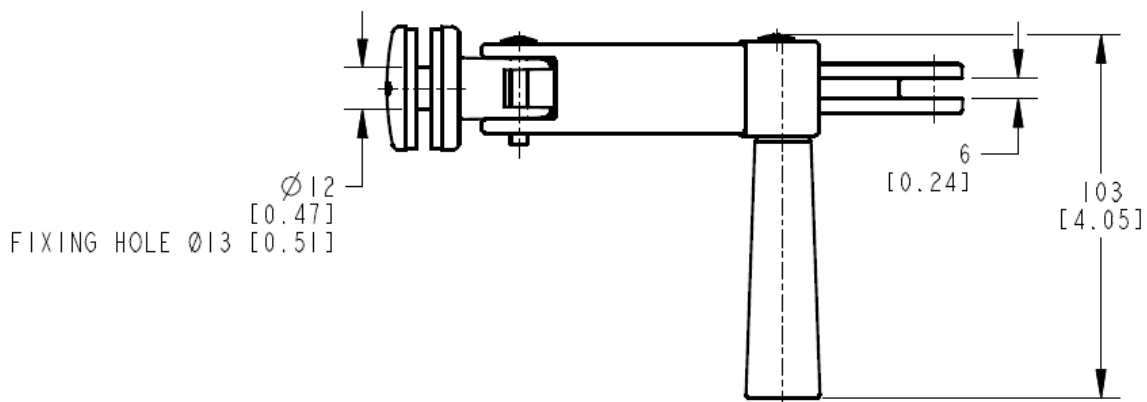


INSTALLATION:

- Installs through 13mm (0.50") diameter hole
- Maximum opening of 135mm
- Mushroom fixing - not to exceed 6 N-m (50 in lbs)

Individual part dimensions are for reference only. Refer to individual part dimensions for complete dimensions, specifications, and installation procedures. Engineering assistance and application drawings are available.

For more information visit
www.trimarkcorp.com



100-7100 Caraloc Entrance Door Set

Designed as a complete external and internal system. Specifically designed for baggage and compartment doors for recreational vehicles including motor homes and travel trailer (caravan entry doors).

FEATURES/BENEFITS:

- Rotating actuation in a clockwise and counter-clockwise direction
- Low profile exterior
- With various configurations to accommodate door thickness (20mm to 36mm)

AVAILABLE:

- Provided without key cylinders for matching entire vehicle cylinders after installation
 - ◊ WD key codes (72 codes)
- 10mm or 12mm base plates that fit between the inside face of the door and interior latch can be supplied
- Supplied either left or right hand
 - ◊ Inside release rotate up to lock

MATERIAL:

- Glass filled nylon
- Zinc cast lock cylinders housing

FINISH:

- Standard black

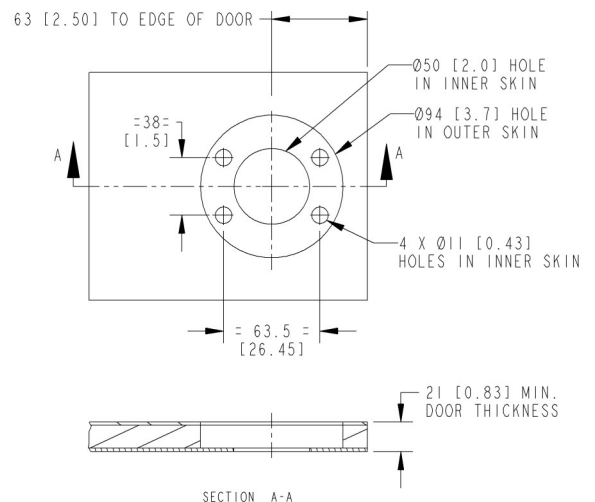
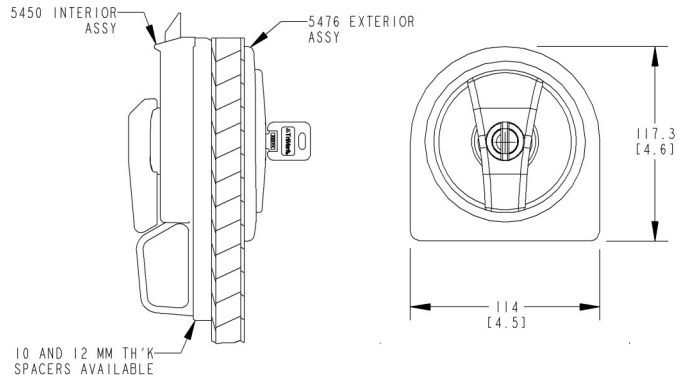
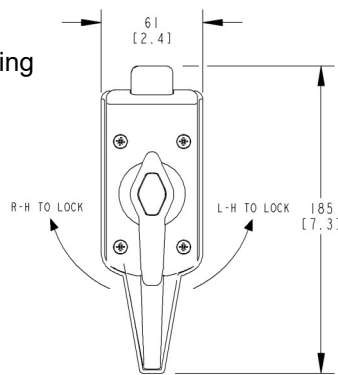


INSTALLATION:

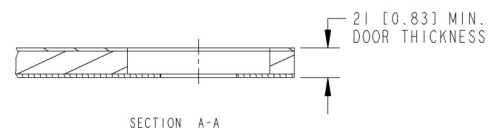
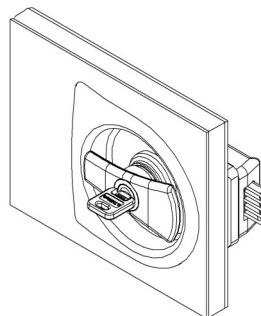
- Easy to install using provided fixings and gasket
- Recommended mounting fastener torque to be 5.0 N-m (44 lbf-in) maximum

Individual part dimensions are for reference only. Refer to individual part dimensions for complete dimensions, specifications, and installation procedures. Engineering assistance and application drawings are available.

Caution: Product does not meet FMVSS 206 (ECE R11) load requirements.



For more information visit www.trimarkcorp.com



130-7200 Door Hold - Open

This door hold-open is designed for light to medium duty agricultural, construction or other equipment personnel doors that need to be held in an open position. Any application where it is desirable to hold or retain a hinged door in an open position.

FEATURES/BENEFITS:

- Simple, easy to use
- Rotating knob/pin latch
- Engineered to withstand vibration, shock, dust, dirt and moisture
- Ergonomic knob design
- Rotating knob allows for the door to be released from the open position from the ground level
- Durability in tough applications
- Easily adaptable to a wide variety of door/cab configurations

AVAILABLE:

- Single release pin latch or remote release version

MATERIAL/FINISH:

- Glass reinforced nylon - black
- Chromed steel latching pin
- Internal components: Zinc plated steel

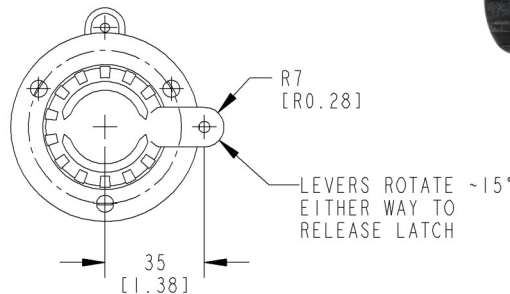
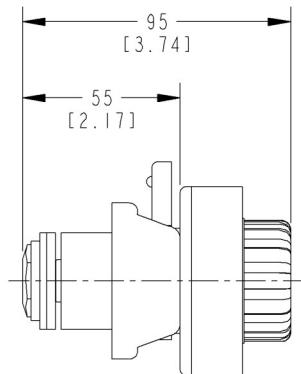
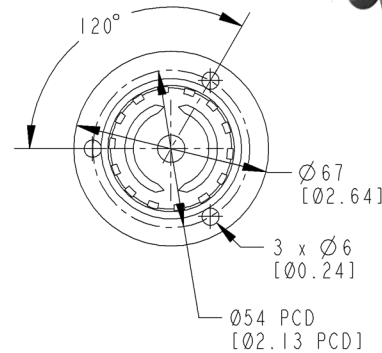
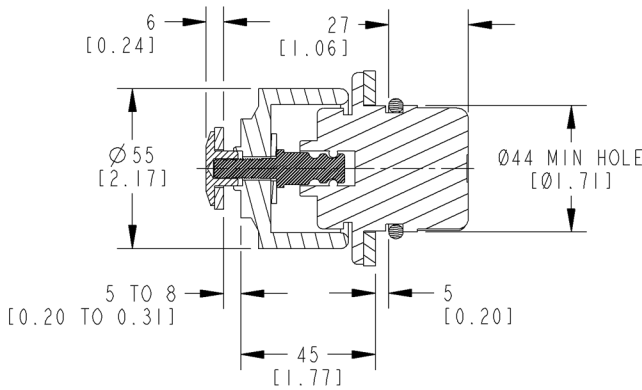
INSTALLATION:

- Easy to install, can be mounted on glass or steel doors
- (1) Shouldered hat nut and large rubber O-ring (included)
- Recommended mounting fastener torque on strike sub-assembly to be 6.7 to 7.9 N-m (59 to 70 in. lbs.)

Individual part dimensions are for reference only. Refer to individual part dimensions for complete dimensions, specifications, and installation procedures. Engineering assistance and application drawings are available.

Caution: Door hold-open is not designed to secure a door in the closed position and does not comply with FMVSS 206 (ECE R11)

For more information visit
www.trimarkcorp.com



200-7100 Hinge Assembly - Aluminum

This aluminum hinge is designed for light-duty off-highway vehicle applications on storage compartments or hinged windows.

FEATURES/BENEFITS:

- Designed to be used vertically mounted with same type of fixing at both ends
- Mounting configurations (2) M8 bolt, 76mm (3.00") mounting pattern

MATERIAL/FINISH:

- Die cast aluminum material
- Black or grey powder coated

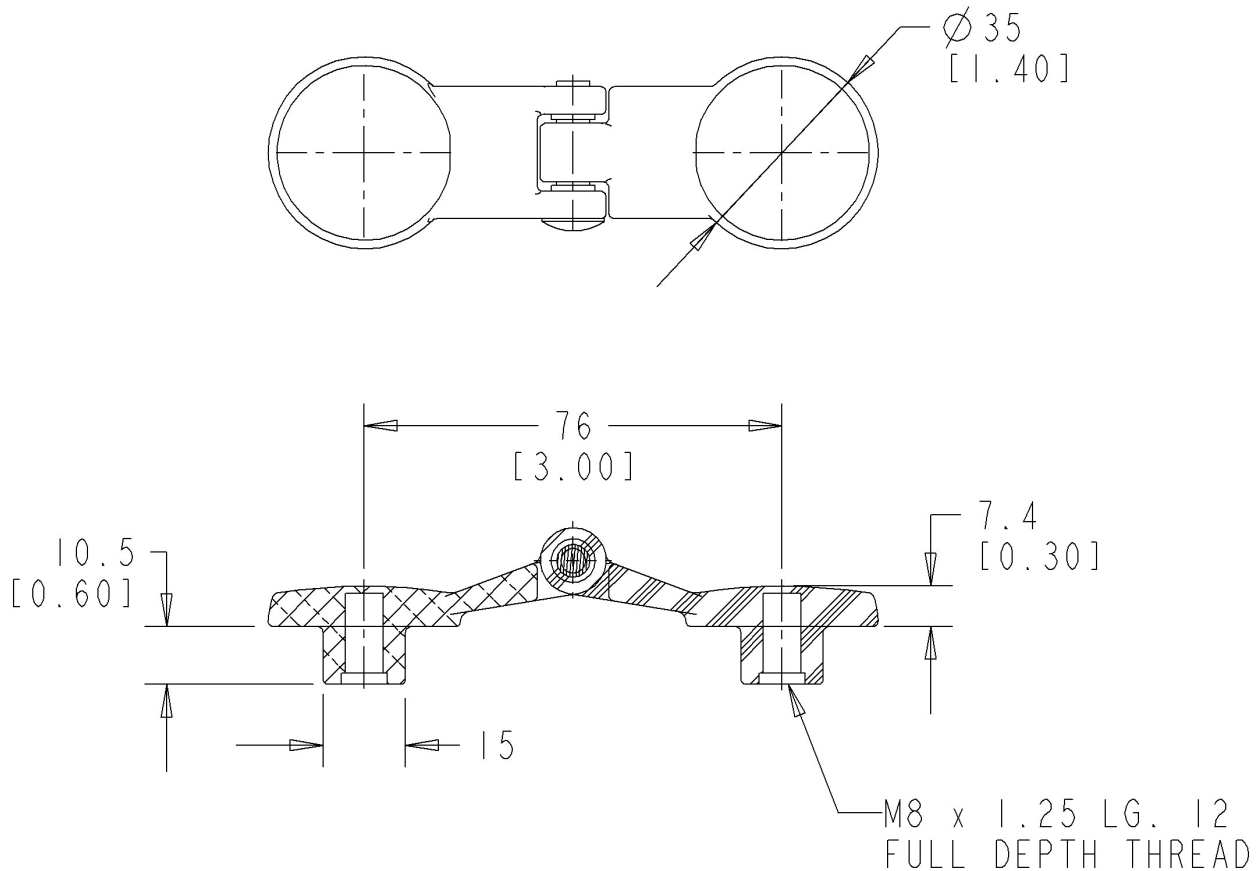
INSTALLATION:

- Installs with either suitable M8 fixing bolts or mushroom caps for glass mounting (not included)
- Recommended mounting fastener torque to be 6.7 - 7.9 N-m (59 to 70 in-lbs.)

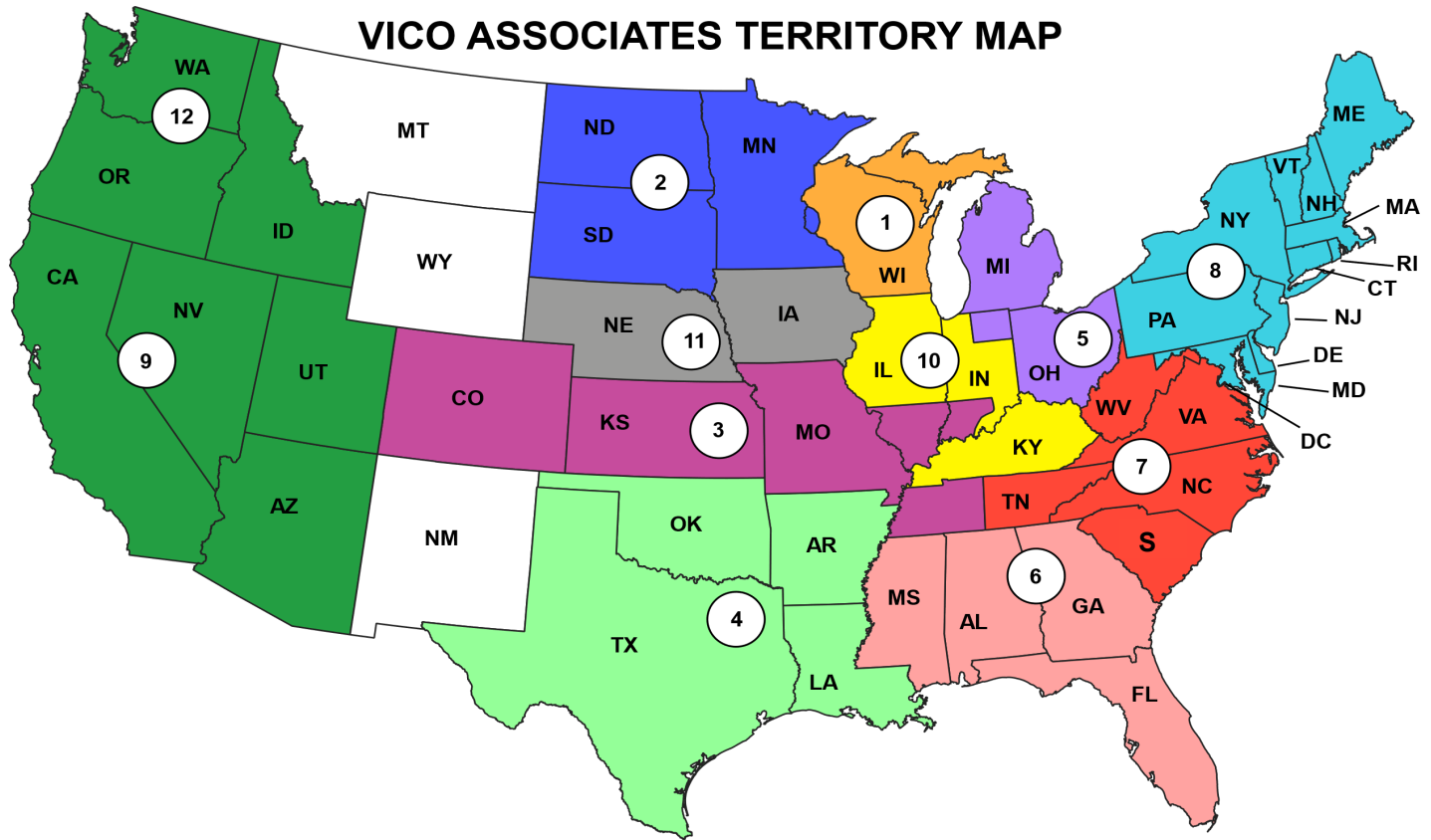
Individual part dimensions are for reference only. Refer to individual part dimensions for complete dimensions, specifications, and installation procedures. Engineering assistance and application drawings are available.



For more information visit
www.trimarkcorp.com



Territory Sales Representatives



VICO 1	VICO 2	VICO 3	VICO 4
Brad Dickinson 1580 S. Milwaukee Ave., Suite 206 Libertyville, IL 60048 PHONE: (847) 367-7660 FAX: (847) 367-8982 CELL: (847) 779-6129 bdickinson@vicoassociates.com	Brandon Revak 18810 46th Ave. N Plymouth, MN 55446 PHONE: (651) 403-9392 brevak@vicoassociates.com	Tom Noser 6526 Bradley St. Louis, MO 63139 PHONE: (314) 616-9036 tnoser@vicoassociates.com	Mike Schott 2615 Hardwood Trail Mansfield, TX 76063 PHONE: (214) 850-9121 mschott@vicoassociates.com

VICO 5	VICO 6	VICO 7	VICO 8
Joe Gales 14933 Boswell Court Granger, IN 46530 PHONE: (574) 339-1650 jgales@vicoassociates.com	Steve Trees 5340 Moss Oak Trail Lake Park, GA 31636 PHONE: (229) 834-2019 strees@vicoassociates.com	Dwight Quinlan 7824 Wilson Farm Road Summerfield, NC 27358 PHONE: (336) 643-2098 FAX: (336) 643-2099 CELL: (336) 225-5868 dquinlan@vicoassociates.com	Henry Seidel 906 Clover Drive Wyomissing, PA 19610 PHONE: (610) 223-1082 hseidel@vicoassociates.com

VICO 11	VICO 10	VICO 11
Ryan Fiedler 43417 SE 174th St. North Bend, WA 98045 PHONE: (425) 281-2102 rfiedler@vicoassociates.com	Jake Gay 343 W. Old Town Court Apt. 708 Chicago, IL 60610 PHONE: (224) 423-4335 jgay@vicoassociates.com	Eric Siech 545 E. Fourth Street Tipton, IA 52772 PHONE: (641) 330-5180 esiech@vicoassociates.com

Capabilities

- Engineering Design
- Injection Moldings
- System Validation
- Quick Turn Manufacturing
- Metal Fabrication
- Line Sequencing
- Zinc Die Casting
- Assembly
- Plating



Products



Latches



Handles



Linkages



Electronics



Hinges

Industries



Off-Highway



Recreational Vehicle



Specialty Vehicle



On-Highway Truck



Armored Vehicle



Power Sport



Industrial Enclosure



Mass Transit

Quick Links

- ▶ [New User Registration](#)
- ▶ [Process Change Notification](#) **NEW!**
- ▶ [New Products](#)
- ▶ [Employment](#)
- ▶ [End User, Locksmith, RV Dealer](#)
- ▶ [Keyless Entry Support](#)
- ▶ [Press Release](#)
- ▶ [Global Contacts](#)
- ▶ [Sample Request](#)
- ▶ [Catalog Request](#)



Door Systems - Providing the Big Picture Solutions

TriMark offers a comprehensive selection of quality hardware products. Our application engineering experts can assist you in selecting the right products and components to complete your system solution.

Designing and implementing a full door system solution requires a wide range of high-quality products working together to form a rugged, reliable system. As a world leader in vehicle door hardware, TriMark's products sets the standard in excellence, design and value in the field. Our latches, strikers, handles, hinges, linkages, locks, accessories and related system components ensure complete and proven compatibility—time and time again.

At TriMark, we take pride in the details, such as opening/closing efforts, structural support, appearance, construction, safety, security, ease of assembly, quality, durability, sound of operation and overall value. The result? A full door system solution that's fit for function today and well into the future.

Rotary Latch:

The rotary latch is the heart of the door system. Years of careful engineering and customer collaboration have led to latches that feature the highest levels of quality, security and strength to meet virtually any application.

Logic Mechanism:

TriMark's logic mechanisms connect handles and latches and provide unique locking and operating functions. The connectivity and functionality of which meet FMVSS 206 (ECE R11) requirements and will form part of the latch assembly or exterior handle assembly.

Exterior Handle:

TriMark's exterior handles are developed with hands-on applications in mind. Many are designed around a specific market or application, taking into consideration style, functionality, vehicle width and desired level of security.

Interior Releases:

Today's door designs demand ergonomic placement and ease of function for the inside release. As always, we also consider style, functionality, mounting, installation, materials and finish.

Rods/Cables:

The varied applications for door systems demand versatility. TriMark excels at remote release, utilizing rods and/or cable connections. Our rods and cables efficiently transfer mechanical input from the operator and enable quick and safe operation.

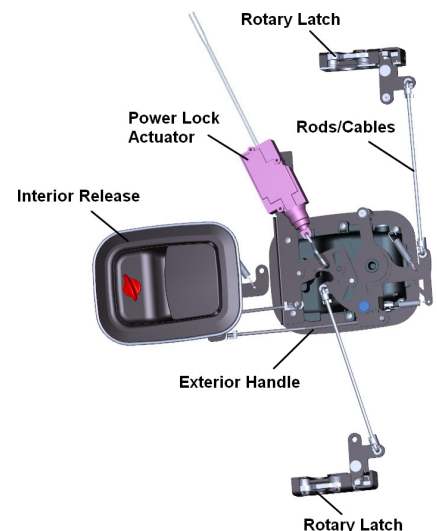
Power Lock Actuator:

TriMark's power lock actuators are designed to integrate with our handles and latches. They're equipped to accept a power lock actuator, and provide an electrically powered lock/unlock function, as well as facilitate mechanical override.

Keyless Entry:

For additional convenience, functionality and safety, our comprehensive selection of components and systems allows for complete keyless entry, security and ignition control for vehicles and equipment. Standard controls are available for immediate integration, as well as custom adaptation for specific customer requirements.

Details of all our products and more are available on our website www.trimarkcorp.com or contact our Application Engineering Experts to assist you in selecting the exact





GLOBALLY LOCATED AND EXPERIENCED

TriMark Corporation
500 Bailey Avenue
New Hampton, IA 50659
United States
Tel: +1 641 394 3188
Fax: +1 641 394 2392
www.trimarkcorp.com
tips@trimarkcorp.com

TriMark Europe
Cedar Court
Walker Road
Bardon Hill Coalville
LE67 1TU
United Kingdom
Tel: +44 (0) 1530 512460
Fax: +44 (0) 1530 512461
www.trimarkeu.com

TriMark China
Building A5 Jingwu Road
Xuzhou Economic
Development Zone
Xuzhou, Jiangsu
221004 PR China
Tel: +86 516 8773 0018
Fax: +86 516 8773 0058
www.trimarkcn.com

